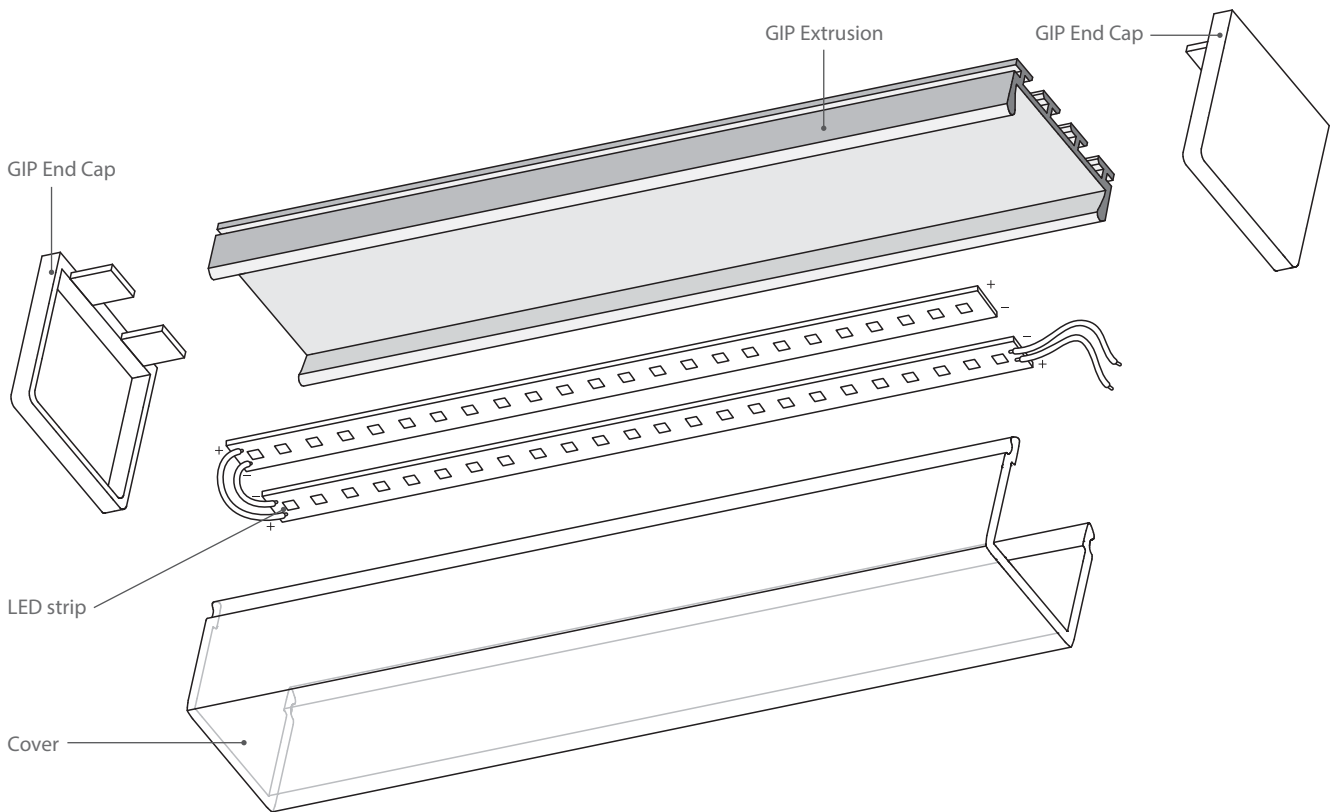
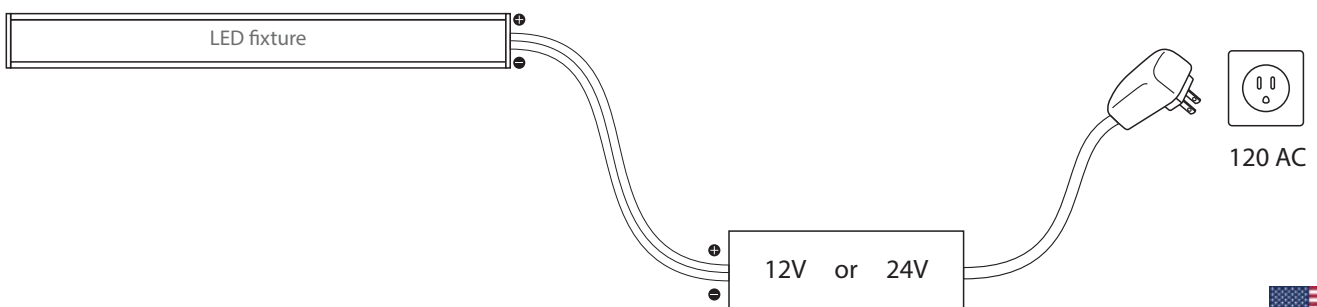




### Basic fixture components

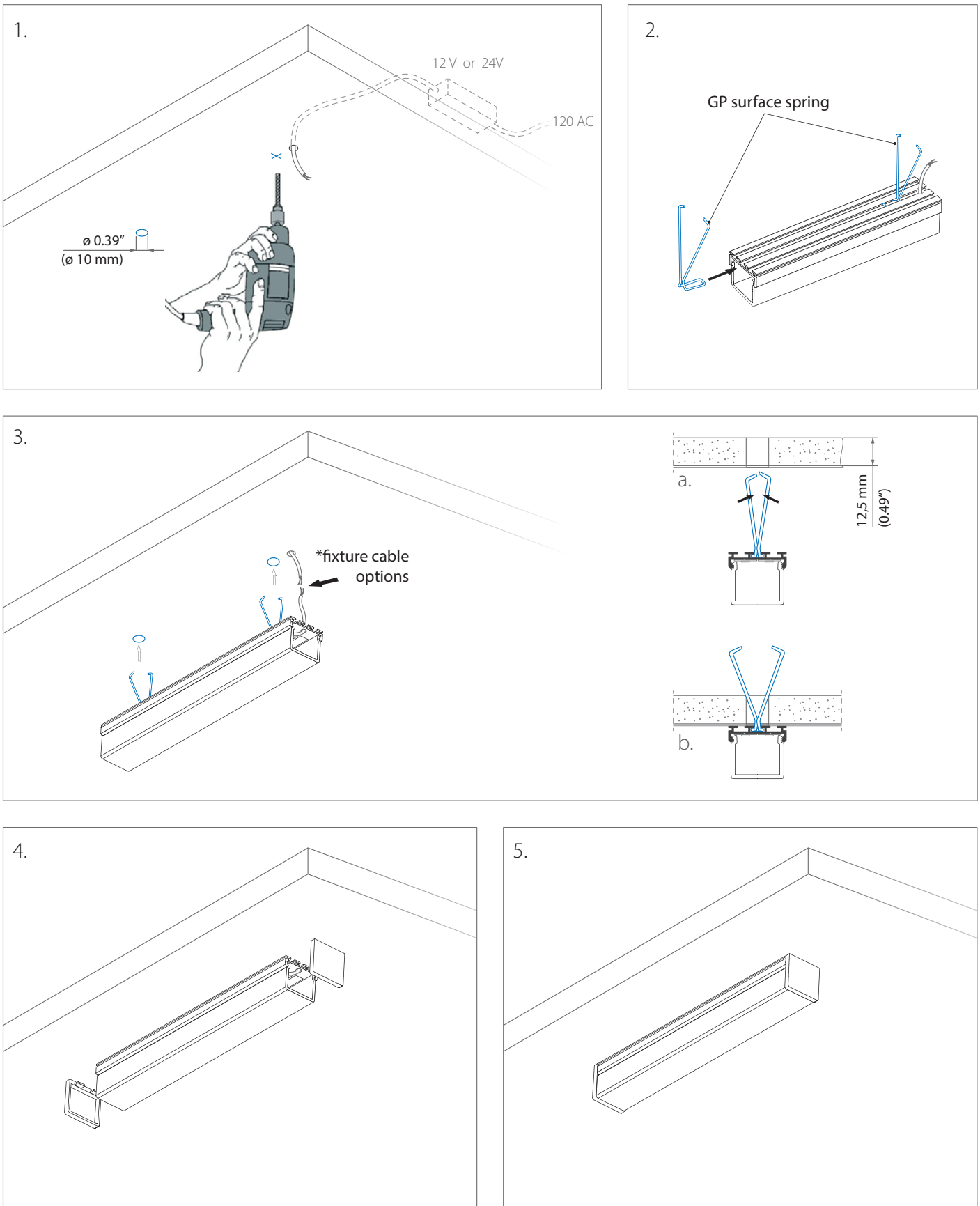


### Wiring diagram



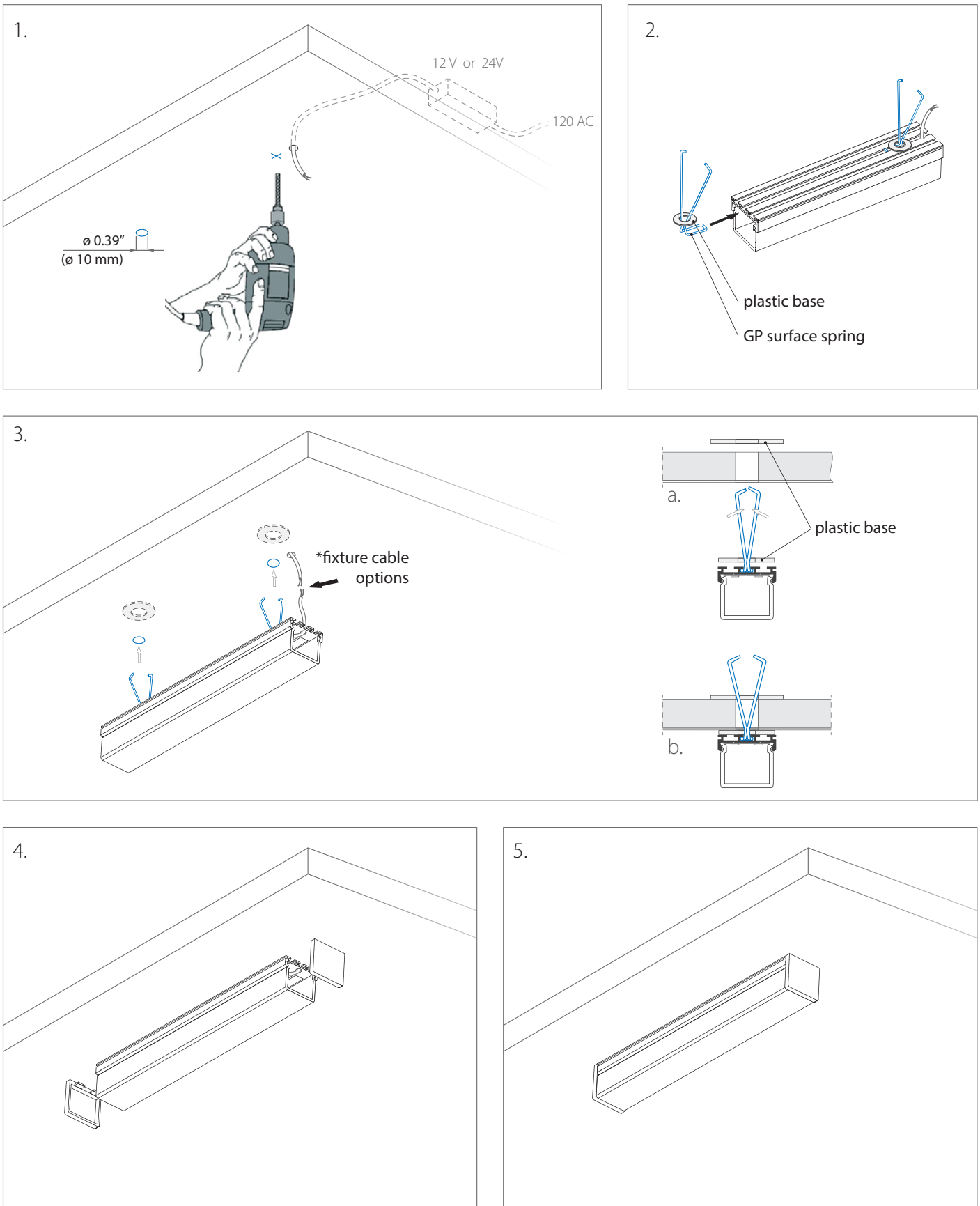
Mounting Instruction

Mounting of the GIP extrusion to a surface (drywall, wood etc) with the use of GP surface mounting springs.



Mounting Instruction

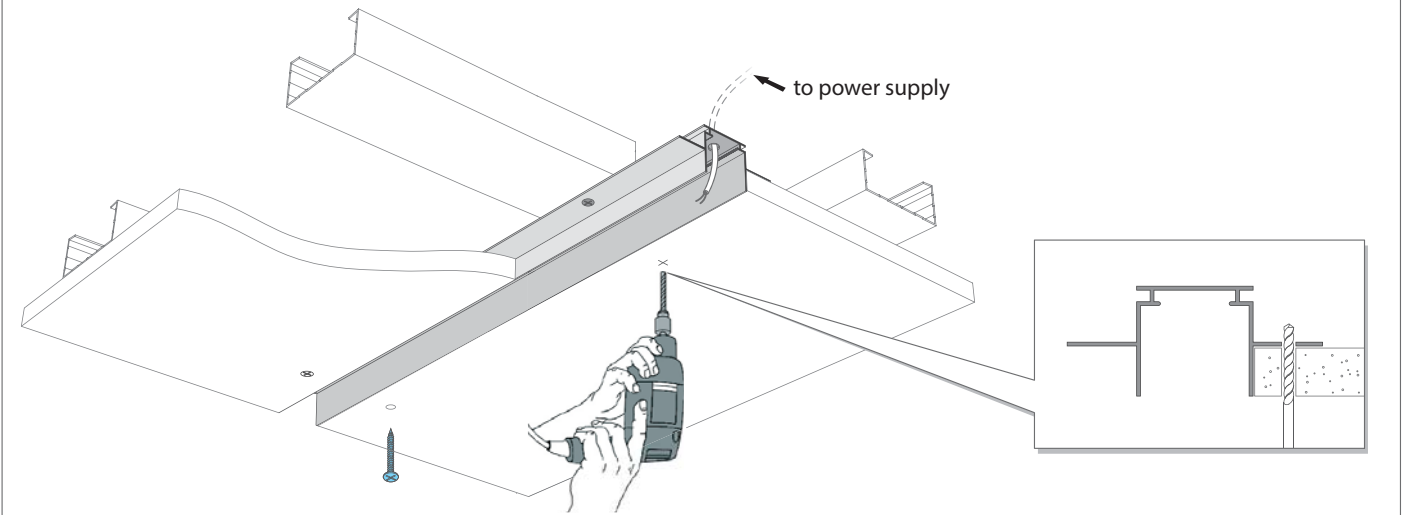
Mounting the GIP extrusion to a drop ceiling with the use of GP mounting springs.



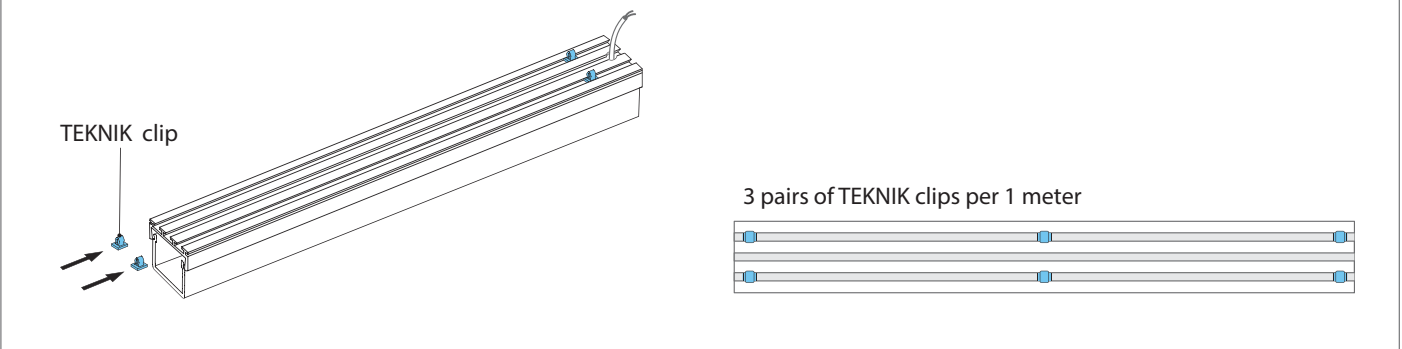
Mounting Instruction

Mounting the GIP extrusion to drywall with the use of the TEKNIK mounting extrusion.

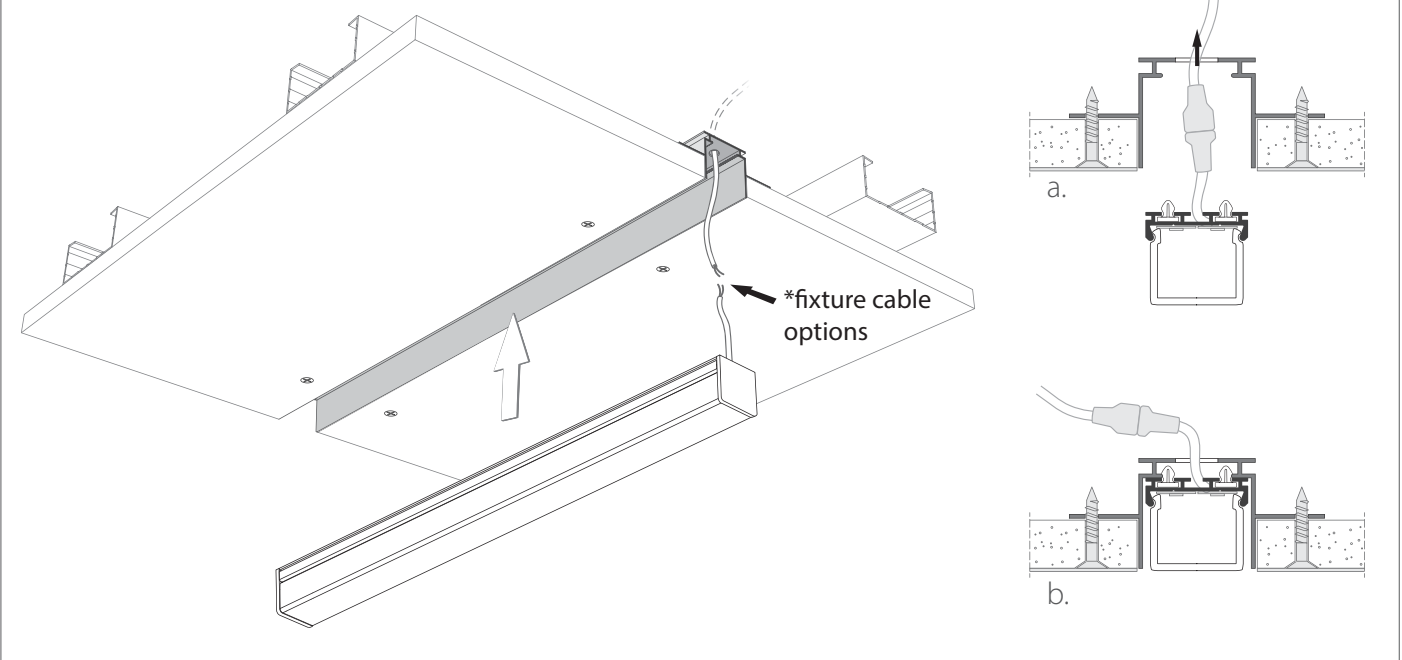
1. mounting the profile TEKNIK with the support structure of the ceiling



2.

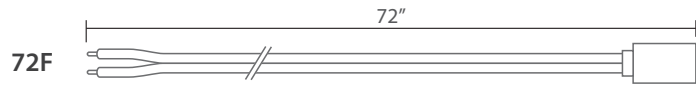
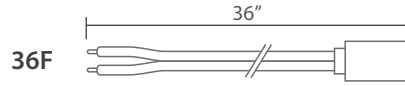
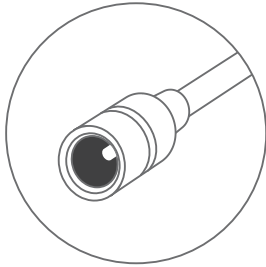


3.

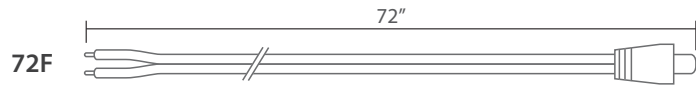
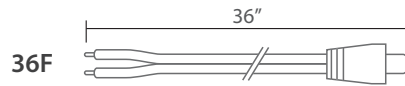
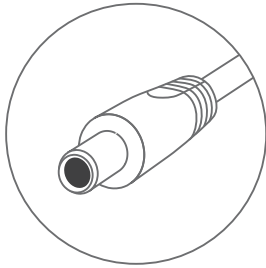


Fixture cable options

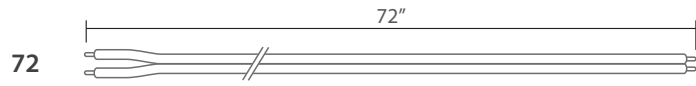
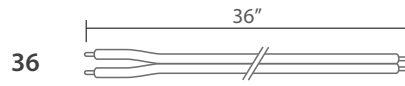
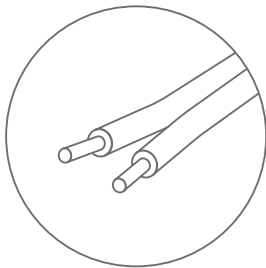
Female end



Male end



Wire end



\*Examples of attaching a KLUS fixture to the power supply

